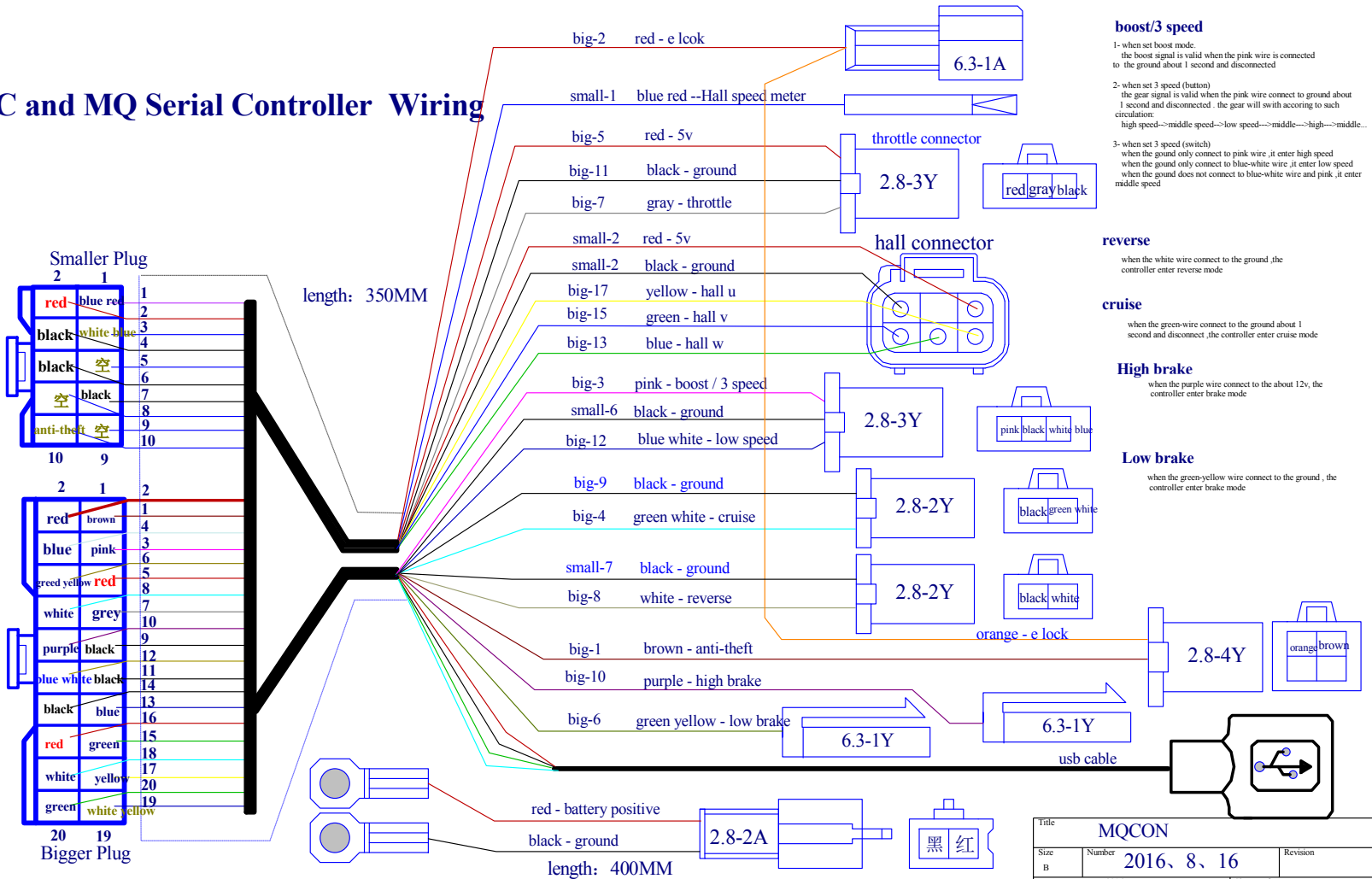


SSC and MQ Serial Controller Wiring



boost/3 speed
 1- when set boost mode, the boost signal is valid when the pink wire is connected to the ground about 1 second and disconnected
 2- when set 3 speed (button) the gear signal is valid when the pink wire connect to ground about 1 second and disconnected, the gear will switch according to such circulation: high speed-->middle speed-->low speed-->middle-->high-->middle...
 3- when set 3 speed (switch) when the ground only connect to pink wire, it enter high speed when the ground only connect to blue-white wire, it enter low speed when the ground does not connect to blue-white wire and pink, it enter middle speed

reverse
 when the white wire connect to the ground, the controller enter reverse mode

cruise
 when the green-wire connect to the ground about 1 second and disconnect, the controller enter cruise mode

High brake
 when the purple wire connect to the about 12v, the controller enter brake mode

Low brake
 when the green-yellow wire connect to the ground, the controller enter brake mode

Title		
MQCON		
Size	Number	Revision
B	2016、8、16	
Date:	5-Dec-2016	Sheet of
File:	D:\公司资料\中工_Backup of 接线单图-1\2016\14\Backup of 接线单图.DDB	